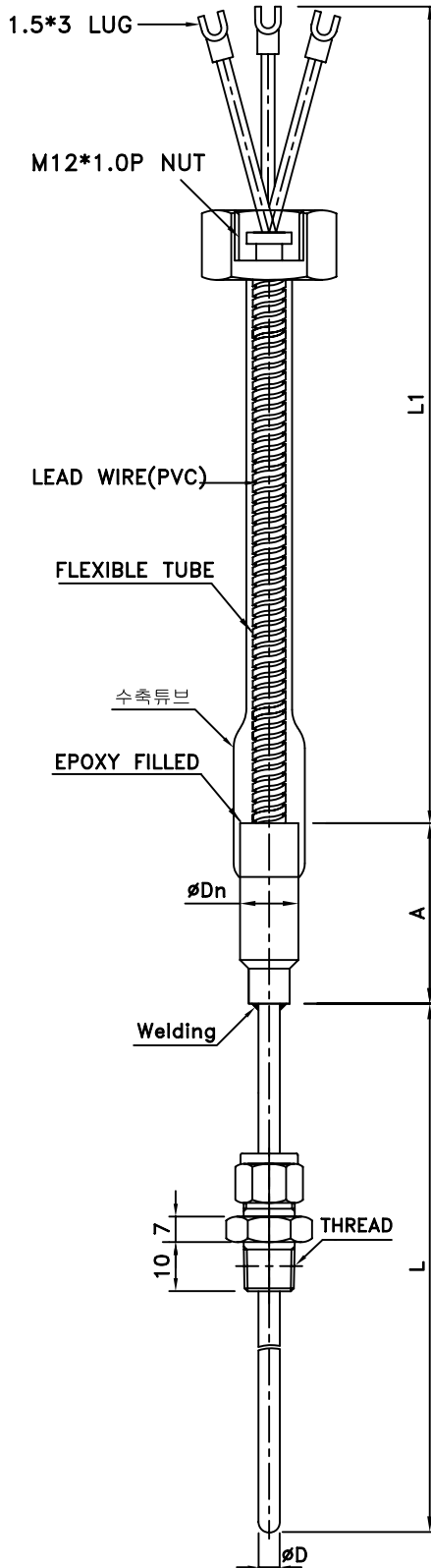


METAL SHEATHED
RESISTANCE BULBS

MODEL
SR-111C-150L(5M)



***GENERAL SPECIFICATION**

- PROBE TYPE METAL SHEATHED TYPE
- TRANSITION SLEEVE WITH TEFLON INSULATED LEAD WIRE
- MOUNTING TYPE COMPRESSION FITTING

***ORDER SPECIFICATION**

ELEMENT

① CALIBRATION

- 1.Pt 100 SINGLE 2.Pt 100 DUAL
- 3.KPt 100 SINGLE 4.KPt 100 DUAL
- 5. OTHER []

② GRADE

- 1. KS-B CLASS 2. KS-A CLASS
- 3. OTHER []

SHEATHED TUBE

③ MATERIAL

- 1.SUS316 2. SUS310 3. OTHER []

④ OUT DIA (∅D)

- 1. 2.3 2. 3.2 3. 4.8
- 4. 6.4 5. 8.0 6. OTHER []

⑤ LENGTH (L)

- 150 mm

SLEEVE

⑥ OUT DIA (∅Dn)

- 8

⑦ LENGTH (A)

- 45 mm

LEAD WIRE

⑧ NUMBER OF LEAD WIRE

- 1. 2 WIRE 2. 3 WIRE
- 3. 4 WIRE 4. 6 WIRE

⑨ COVER MATERIAL

- 1.NONE 2.METAL SHIELD 3.FLEXIBLE TUBE(SUS)

⑩ LENGTH (L1)

- 5000 mm

MOUNTING

⑪ THREAD SIZE

- 1.PT1/2 2.PT3/4 3.PF1/2
- 4.PF3/4 5. OTHER [PT1/4]

⑫ COMPRESSION FITTING MATERIAL

- 1. SUS304 2. SUS316 3. OTHER []

SPECIAL REQUIREMENT

5					CUSTOMER	POSCO	Design	Scale	N.S	
4							Checked	Wt Est - kg		
3				Approved			Date	2011. 07. 20		
2				TITLE						
1				MODEL						
Item	Part Name	Material	Q'ty	Remark						